



Faucet Capri Gold | Satin finish

Faucets

Code: 8467 109

Single lever mixer tap with rotating barrel and extractable shower head



DETAILS

Coloring Gold

Texture Satin

Finish PVD

Material Brass

Cartridge With ceramic discs

Rotating angle 180°

Mixer hole $\varnothing 1 \frac{3}{8}''$

Max worktop thickness $1 \frac{49}{64}''$

Mixer type Single lever mixer tap with rotating barrel and extractable shower head.

Notes: Strengthening plate included

FEATURES

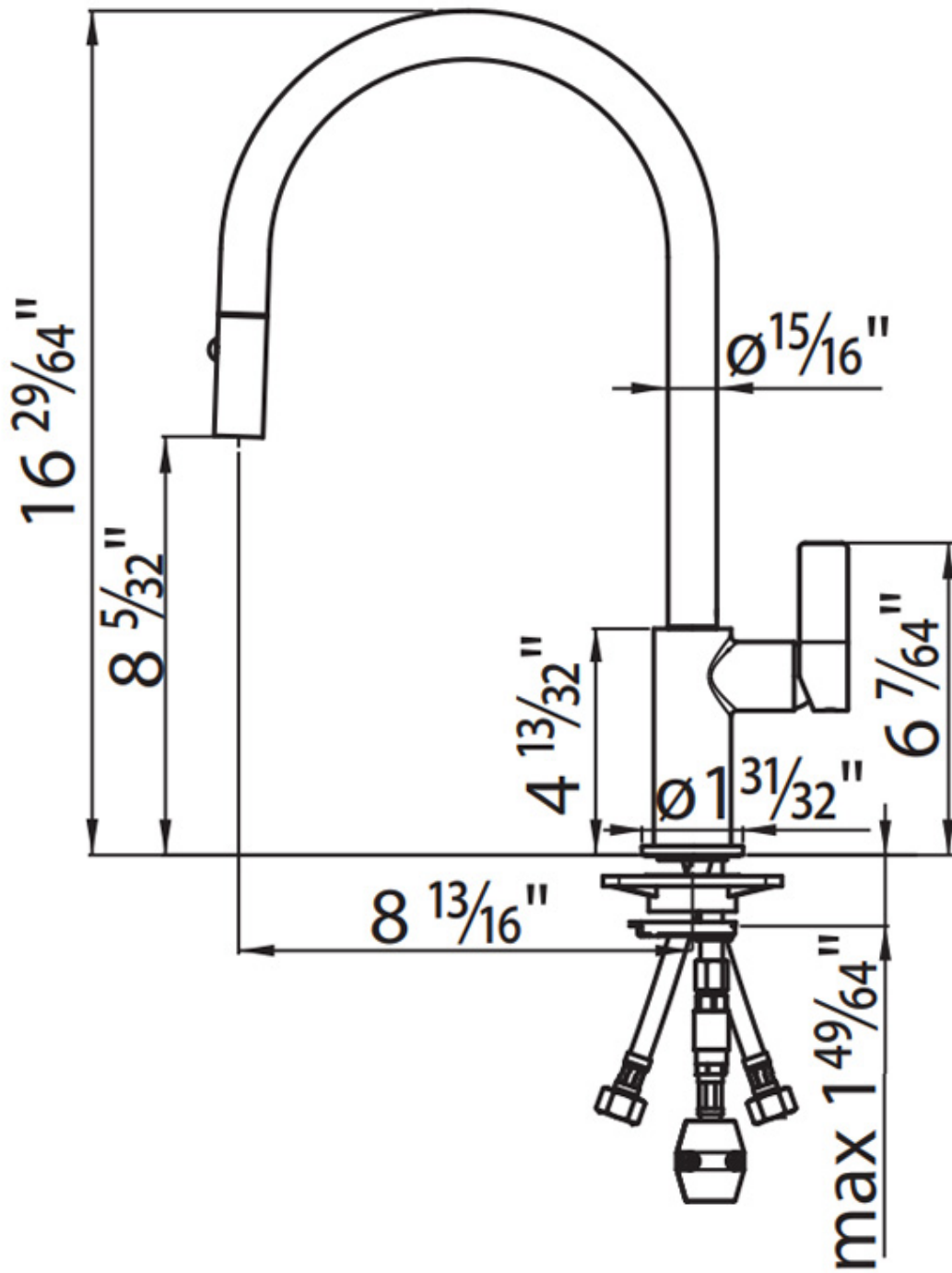
GOLD The Gold finish is obtained by treating the steel with a physical process called PVD (Physical Vacuum Deposition) which deposits particles of noble metals on the surface. The result is a unique and refined aesthetic effect, and an improvement in the mechanical properties of the steel that is more resistant to shocks and scratches.

Strengthening plate Foster's mixer taps are equipped with the strengthening plate that offers perfect stability on any sink.

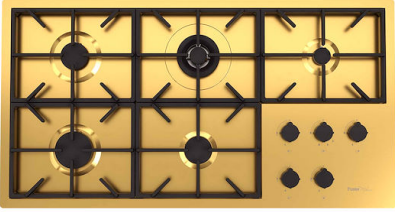
Rotating angle All the taps have a wide angle of rotation. Some models even permit a full 360° rotation.

Double jet (flow and rain) Several models are equipped with a switch to easily change the flow from continuous to shower.

TECHNICAL DATA



RECOMMENDED PAIRINGS



Milano Cooktop Gold 5 burners
7638 909



Sink Leonardo Gold 33" x 20" – U/M
1014 669